



50PX2DC

50" HDTV INTEGRATED PLASMA DISPLAY



SHOWN WITH
INTEGRATED STAND
AND SPEAKERS

1366 x 768p Resolution

High resolution format produces extremely detailed imagery

Improved! 8000:1 Contrast Ratio

Extremely sharp contrast between light and dark images

1000 cd/m² High Brightness

Renders an incredibly bright picture, even in well-lit areas

Image Sticking Minimization, Pixel Orbitor, and White Wash Features

Reduce phosphor burn and prolong the life of the plasma

Aspect Ratio Adjustment

RS-232 Control and Discrete

IR Controls

XD Engine

Front Panel Controls

Side Video/Audio Inputs

Integrated ATSC/NTSC/

256 QAM Tuner

Integrated Speakers

2 Year Warranty

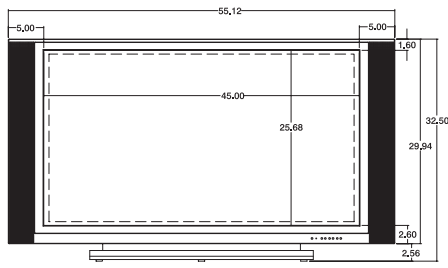
Removable Stand (Included)



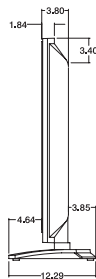
50PX2DC 50" Plasma HDTV Integrated Display



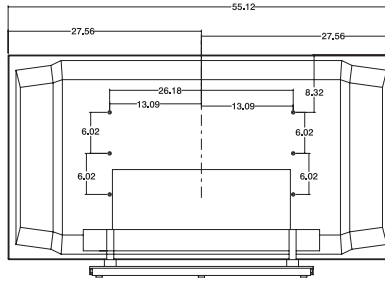
DIMENSIONS



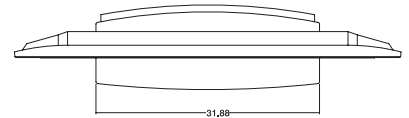
Front View



Side View



Back View



Top View

DIMENSIONS

Cabinet without Stand (W x H x D)	55.1" x 29.9" x 3.8"
Weight	97.6 Lbs.
Cabinet with Stand (W x H x D)	55.1" x 32.5" x 12.29"
Weight	115.7 Lbs.
Packaging Dimensions (W x H x D)	59.8" x 38" x 18.1"
Weight	129.2 Lbs.

CABINET DESCRIPTION

Finish	Silver
Cabinet Style	Slim Frame
Power Consumption	450W
Power Source	100 ~ 240v 50/60Hz
Table Stand	Included
Speakers	Included (Not Detachable)

VIDEO ENHANCEMENTS

Screen Size	50" Wide Format
Resolution Display	1366 x 768p
Pixel Pitch	0.36 (H) x 1.08 (V)
Aspect Ratio	16:9, 4:3 Zoom
Brightness	1000 cd/m ² w/Filter
Contrast Ratio	8000:1
Viewing Angle	160°
Format Conversion	Intelligent Image Scanning
Aspect Ratio Adjustment	7 Modes
Scan Converter	XD Engine
Contrast	Yes
Brightness/Sharpness	Yes
Tint	Yes
Integrated ATSC/NTSC/256 QAM Tuner	Yes
Comb Filter	3D Y/C
Color Temperature	3 Modes
3:2 Pulldown Cinema Correction	Yes
EZ Video/Picture Selection	7 Modes
Enhanced Noise Reduction	Yes

DISPLAY

Display Frequency	15.73 to 60Hz (H)
Displayable Colors	16.77M
Color Gradation Filter	Yes
Input Signal	NTSC, HD, SD, VGA, SVGA, XGA
High Contrast Screen w/Non-Glare Coating	Yes

AUDIO ENHANCEMENTS

EZ SoundRite (Volume Leveler)	Yes
EZ Sound Selection	6 Modes
Speakers	2-Way, 6 Speakers
3D EchoSound System	Yes
Mono/Stereo/MTS/SAP	Stereo
Bass/Treble/Balance	Yes
Total Audio (Watts) Output (Integrated Speakers)	30W (2 x 15W)
SRS TruSurround XT	Yes

SPECIAL FEATURES

Trilingual Menus	English/Spanish/French
RS-232 Control	Yes
Discrete IR Controls	Yes
White Balance Adjustment	Yes
Auto-Power On	Yes
Discrete Power Off	Yes
Last Source On	Yes
Image Sticking Minimization	Pixel Orbitor, White Wash, Inversion
Clock	Yes
Sleep Timer	Yes
On/Off Timer	Yes
Closed Caption	Yes
Parental Control w/V-Chip	Yes
Custom Channel Labels	Yes
Custom Input Labels	Yes
Favorite Channel Selection/Surf	Yes
EZ Scan (Auto Programming)	Yes

SPECIAL FEATURES (continued)

EZ Menus	Yes
Auto Off (when no video present)	Yes
Flashback	Yes
Intelligent Fan Control	Yes
Screen Adjust	Only in PC Mode

OUTPUT RESOLUTIONS

NTSC, VGA, SVGA, XGA, SXGA	1366 x 768p
HDTV	1366 x 768p

JACK PACK

Hi-Res Component Video	2
Audio Left/Right In	3 Rear, 1 Side
PC Audio (Mini Jack)	Yes
RF In	2
Composite In	1 Rear, 1 Side
RGB In (15-Pin Type-D Connector)	1
S-Video In	1 Rear, 1 Side
RS-232C (9-Pin Connector)	1
HDMI with HDCP—Converts to DVI with Adaptor (Not Included)	1
IR Jack	1
Monitor Video/Audio Out	1
Digital Audio (Optical) Output	1

OPERATING ENVIRONMENTS

Storage Temperature Range	-20°C – 60°C
Storage Humidity Range	<85%
Altitude	2,000m (6561 Feet)
Operating Temperature	0°C – 40°C & <80% Humidity
Power Consumption	450W

REQUIRED APPROVALS

UL, C-UL, NOM	UL, C-UL, FCC (B)
---------------	-------------------

SERVICE/LIMITED WARRANTY

Warranty: Parts/Labor	2 Year/2 Year
MTBF (Approx.)	60K Hours

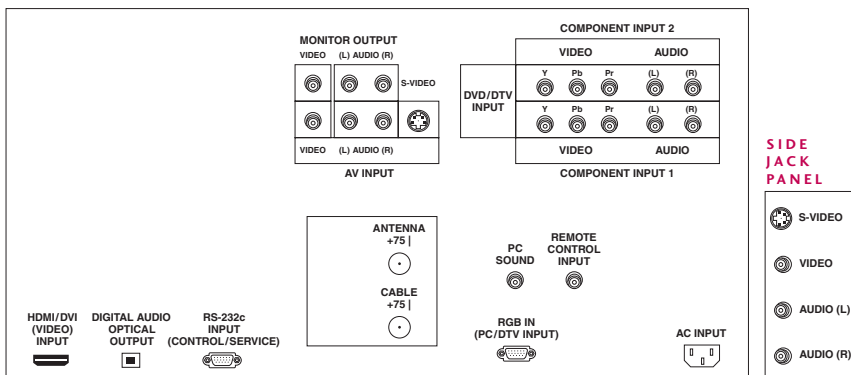
ACCESSORIES (SUPPLIED)

Remote Control	Yes
Power Cord	Yes – 6 Feet

ACCESSORIES (OPTIONAL)

Wall Mount	PWMT200
------------	---------

REAR JACK PANEL



www.LGcommercial.com

LG Electronics U.S.A., Inc. 2000 Millbrook Drive, Lincolnshire, IL 60069 Customer Service: 1-888-865-3026

Dimensions and weights are approximate. Design and specifications subject to change without notice. The "LG Life's Good" is a registered trademark of LG Electronics U.S.A., Inc. ©2006 LG Electronics U.S.A., Inc. Printed in the USA. LG50PX2DC0406

